

整机状态：垂直单发-化自动风门-化欧V-制动器-B轴-点

易损属性说明:指在日常正确操作使用过程中该零部件易磨损的程度，作用是指导客户按最高库存量储备，B类件按最低库存量储备，C类零件尽量不作储备。(Note vuln correct use of

机型Model:LC1P70F-3

状态Status Code: L1854

气缸头 (

序号 No.	零部件件号 Part No.	零部件名称	Description
1	380140013-0005	六角头法兰面螺栓	Hexagon bolt with flange
2	120230152-0001	气缸头盖	Cylinder head cover
3	120250059-0001	气缸头盖密封垫	Gasket for cylinder head cover
4	270960014-0001	火花塞	Spark plug
5	380140339-0001	六角头法兰面螺栓	Hexagon bolt with flange
6	120080609-0002	气缸头	Cylinder head
7	380180114-0001	双头螺栓	Stud
8	380180093-0001	双头螺栓	Stud
9	120150262-0002	气缸头密封垫	Gasket for cylinder head
10	380600117-0001	定位销	ocation pin

曲轴箱

序号 No.	零部件件号 Part No.	零部件名称	Description
1	110810408-0002	曲轴箱体	Crankcase body
2	380650335-0001	油封	Oil seal
3	380850002-0001	双头支撑螺栓	Stay stud
4	380850006-0001	双头支撑螺栓	Stay stud
5	380140086-0002	六角头法兰面螺栓	Hexagon bolt with flange
6	293030019-0001	发动机制动器	Engine brake
7	380140067-0003	六角头法兰面螺栓	Hexagon bolt with flange
8	110840031-0001	呼吸槽盖板	CAP,BREATHER CHAMBER
9	110850021-0001	呼吸槽密封垫	PACKING, BREATHER CHAMBER
10	110860005-0001	呼吸片	Breath fin
11	171630023-0001	调速臂	Speed regulating arm
12	380450527-0001	平垫圈	Flat washer
13	380650338-0001	油封	Oil seal
14	381350004-0001	销夹	Pin clip

曲轴箱

序号	零部件件号	零部件名称	Description
----	-------	-------	-------------

No.	Part No.	零件名称	Description
15	380741158-0002	通气管	Breather tube
16	381140580-0001	拉簧	Tension spring
17	380940346-0003	线夹	Cable cleat
18	160200068-0002	发动机导流罩	Side plate
19	380822372-0001	衬套	Bushing

曲轴箱盖 (C)

序号	零部件件号	零部件名称	Description
No.	Part No.		
1	110820128-0001	曲轴箱盖	Crankcase cover
2	380140005-0006	六角头法兰面螺栓	Hexagon bolt with flange
3	380650347-0001	油封	Oil seal
4	110260025-0001	密封螺塞	Sealing plug screw
5	380450514-0001	平垫圈	Flat washer
6	110830062-0001	曲轴箱盖密封垫	Crankcase cover gasket
7	380600120-0001	定位销	Location pin
8	380140167-0002	六角头法兰面螺栓	Hexagon bolt with flange
9	171750031-0001	调速齿轮部件	Components of governor gear
10	110690105-0002	机油尺组合	Oil rule combination
11	380140100-0003	六角头法兰面螺栓	Hexagon bolt with flange

配气材

序号	零部件件号	零部件名称	Description
No.	Part No.		
1	140450022-0001	气门摇臂组合	Valve rocker combination
2	140380020-0001	气门弹簧座	Retainer, valve spring
3	140340039-0001	气门内弹簧	Inner spring of valve
4	140400016-0001	挡油罩	Valve oil seal
5	500550076-0001	气门套件	Valve Kit
6	140710015-0001	推杆限位板组合	Plate, push rod guide
7	140670032-0001	挺杆组合	Push rod
8	140690002-0001	挺柱	Lifter, Valve
9	140020189-0001	凸轮轴组合	Camshaft assy
10	380450534-0001	平垫圈	Flat washer

曲轴/活塞 (C)

序号	零部件件号	零部件名称	Description
No.	Part No.		
1	130070187-0001	活塞环组合	Piston ring combination
2	130030208-0001	活塞	Piston
3	130060031-0001	活塞销	Piston pin
4	380560056-0001	钢丝挡圈	Steel cable baffle ring

5	130150149-0001	连杆	Connecting rod
6	130290464-0002	曲轴部件	crankshaft
7	380450518-0001	平垫圈	Flat washer
8	380620030-0001	键	Key

起动器

序号	零部件件号	零部件名称	Description
No.	Part No.		
1	193500113-0006	手起动部件	Manual starting components
2	160210120-0001	风扇罩部件	Fan cover comp.

化油器 (

序号	零部件件号	零部件名称	Description
No.	Part No.		
1	170430177-0001	化油器密封垫	Carburetor gasket
2	170022159-0001	化油器	Carburetor
3	170430147-0001	化油器密封垫	Carburetor gasket
4	170450007-0001	化油器隔热板	Heat insulating plate for carburetor
5	170440090-0001	化油器隔热垫	Heat insulating pad for carburetor
6	170430174-0001	化油器密封垫	Carburetor gasket

飞轮 点火器 (FL

序号	零部件件号	零部件名称	Description
No.	Part No.		
1	380370051-0001	六角法兰面螺母	Hexagon nut with flange
2	193590005-0001	起动盘	Starting disc
3	270020254-0001	磁电机转子部件	FLYWHEEL COMP
4	270920392-0003	点火线圈	COIL ASSY.,IGNNTION
5	380140024-0006	六角头法兰面螺栓	Hexagon bolt with flange
6	380930025-0001	定位线卡	Location wire nail

空滤器 (

序号	零部件件号	零部件名称	Description
No.	Part No.		
1	180020744-0002	空滤器	Air filter
2	180070228-0001	空滤器壳体盖	Air filter casing cover
3	180100096-0001	空滤器滤芯	Air filter element
4	180280092-0001	空滤器座	Air filter seat
5	380370066-0001	六角法兰面螺母	Hexagon nut with flange

调速控制系统 (

序号	零部件件号	零部件名称	Description
No.	Part No.		
1	171680037-0001	油门操纵手柄组合	Throttle handle combination

2	380140067-0003	六角头法兰面螺栓	Hexagon bolt with flange
3	171600080-0001	调速弹簧	Governing spring
4	171610024-0001	节气门复位弹簧	throttle return spring
5	171590038-0001	油门拉杆	Throttle rod
6	380370066-0001	六角法兰面螺母	Hexagon nut with flange
7	171620015-0003	调速支架	Speed regulating bracket
8	380250002-0001	方头平端紧定螺钉	Square head set screw with flat point

消声器

序号	零部件件号	零部件名称	Description
No.	Part No.		
1	380370048-0001	六角法兰面螺母	Hexagon nut with flange
2	180571973-0001	消声器	Muffler
3	180660081-0001	消声器密封垫	Muffler gasket
4	380140497-0002	六角头法兰面螺栓	Hexagon bolt with flange
5	171470010-0001	阻风门控制部件	Control components of choke valve
6	171650034-0001	阻风门拉杆	Choke valve pull rod
7	173090001-0001	阻风门拉杆锁夹	Locker of choke valve pull rod
8	180960143-0001	消声器护罩	Muffler guard shield

油箱

序号	零部件件号	零部件名称	Description
No.	Part No.		
1	170490217-0001	油箱部件	Tank
2	170870094-0001	油箱盖	Tank cover
3	170010017-0001	燃油滤清器	Fuel filter
4	380020071-0001	六角头轴肩螺栓	Hexagon shaft shoulder bolt
5	380750234-0002	油管	Oil tube
6	380950190-0001	管夹	Pipe clip

抗干扰-铝飞轮-贴EC-木托盘-条英文(L1854,意大利SA,平键随机打包)
LC1P70F-3

合理储备。A类代表容易磨损、B类代表不易磨损、C类代表基本不磨损。建议储备标准:A类零件
erable properties: Refers to the degree of wear and tear in the day-to-day operation of the
f this part which according

成品编码
Code Number: T342006791-0001034

版本号: LC/LT-2024-A

CYLINDER HEAD)

规格状态	数量	易损属性
	Reqd. QTY	CONSUMABLE GRADE
GB/T 5789_M6_L=16;镀蓝白锌Q16	4	C
T450_2#_铝合金;	1	C
T450_不含石棉纸垫;	1	A
F7RTC_无干扰;	1	A
T320_M8_L=50;镀蓝白锌Q16	6	C
T450;通机规格变更号TJ-GGBG 201806210002,增加	1	B
T300_M6_L=84;镀蓝白锌Q16	2	C
T040_M6_L=113;镀蓝白锌Q16	2	A
T342_石墨;通机规格变更号TJ-GGBG 20180621000	1	A
T040_d=10_L=14;	2	C

i(CRANK CASE)

规格状态	数量	单位
	Reqd. QTY	UNIT
T342;通机规格变更号TJ-GGBG 201806210002,增加	1	B
T320_d=25_D=38_b=7;	1	B
T320_M6_L=78.5;镀蓝白锌Q16	1	C
T340_M6_L=85;镀蓝白锌Q16	2	C
GB/T 5789_M6_L=22;镀蓝白锌Q16	1	C
T450_普通状态;	1	B
GB/T 5789_M6_L=12;镀蓝白锌Q16	1	C
T450;	1	C
T450_软木橡胶板;	1	A
T302;	1	A
T450;	1	B
T05K_T21_内径6_外径13_厚度1_65Mn;氧化Q07	1	C
T320_d=6_D=11_b=4;	1	B
T040_调速臂用;	1	A

i(CRANK CASE)

规格状态	数量	单位
------	----	----

规格状态	Reqd. QTY	UNIT
T450_Φ10×Φ15×45_直管_废气管;满足ROHS要求	1	A
T450_制动器弹簧;	1	A
T560;满足REACH和ROHS要求	1	A
T450_塑料;技术通知单第JS-2021-0084号	1	A
T320_外径10(带Φ16.5台阶)_内径7_长12_风扇罩衬	1	C

RANK CASE COVER)

规格状态	数量	单位
	Reqd. QTY	UNIT
T450_1#,底部放油螺栓孔_安装高度35;	1	C
GB/T 16674.1_M8_L=40;镀蓝白锌Q16	7	A
T320_d=25_D=41.25_b=6_丙烯酸脂CII;含Hg/Cr6/F	1	C
T040_M10×1.25×15;镀蓝白锌Q16	1	C
T040_T21_内径10_外径16_厚度1.5_铝及铝合金;	1	C
T450;	1	C
T040_d=8_L=14;	2	A
GB/T 16674.1_M5_L=12;镀蓝白锌Q16	1	C
T450;	1	B
T450_2#,加油管加大;本色黄5#Q82,杆氧化发黑Q07	1	B
GB/T 5789_M6_L=35;镀蓝白锌Q16	1	C

构 (Camshaft)

规格状态	数量	易损属性
	Reqd. QTY	CONSUMABLE GRADE
T040;含Hg/Cr6/Pb/PBB/PBDE≤1000ppm,Cd≤100	2	B
T320_排气门用;	2	B
T322_7圈;含Hg/Cr6/Pb/PBB/PBDE≤1000ppm,Cd≤	2	B
T05K;含Hg/Cr6/Pb/PBB/PBDE≤1000ppm,Cd≤100	1	B
T450;	1	B
T450;镀蓝白锌Q16	1	B
T350_长140_整体实芯;	2	B
T040;含Hg/Cr6/Pb/PBB/PBDE≤1000ppm,Cd≤100	2	B
T450_塑料齿2#;	1	B
T320_T21_内径14.2_外径20_厚度1;抛光Q04	1	C

RANKSHAFT/PISTON)

规格状态	数量	易损属性
	Reqd. QTY	CONSUMABLE GRADE
T072_一二环厚1mm,油环组合厚2.5mm;含Hg/Cr6/P	1	A
T072_一二环槽宽1mm;含Hg/Cr6/Pb/PBB/PBDE≤1	1	A
T040_φ18×54;含Hg/Cr6/Pb/PBB/PBDE≤1000ppm	1	B
T040_活塞销挡圈;	2	B

T330_2#;	1	B
T450_B轴_连杆轴颈空心,箱盖安装高35;粉末冶金齿	1	B
T320_T21_内径25.4_外径34_厚度1;氧化Q07	1	C
GB/T1095_L=38_4.78x4.78_A型;	1	B

☞ (STARTER)

规格状态	数量	易损属性
	Reqd. QTY	CONSUMABLE GRADE
T450_1#;通机规格变更FM202005050067_本色黑6#	1	B
T450_2#;本色黑6#Q80	1	B

(CARBURETOR)

规格状态	数量	易损属性
	Reqd. QTY	CONSUMABLE GRADE
T450_氟橡胶_空滤器垫;红色	1	A
T342_自动阻风门_欧V_防篡改,金属阻风门轴;满足	1	B
T320_厚0.5_无石棉,BNS-JM101_化油器与隔热垫之	2	A
T450_钢架混压无石棉复合板;	1	B
T450_厚12_隔热块;	1	B
T450_厚0.5_不含石棉_进气管密封垫;	1	B

YWHEEL/Ignition Comp)

规格状态	数量	易损属性
	Reqd. QTY	CONSUMABLE GRADE
T040_M14x1.5;镀蓝白锌Q16	1	C
T040;镀蓝白锌Q16	1	C
T352_电起动用_铝飞轮,带叶轮;	1	B
T450_4#_抗干扰,带5kΩ金属屏蔽帽_配制动器用;小	1	A
GB/T 5789_M6_L=28;镀蓝白锌Q16	1	C
T320_燕尾卡;	1	A

(AIR CLEANER)

规格状态	数量	易损属性
	Reqd. QTY	CONSUMABLE GRADE
T450;满足REACH要求	1	B
T450;	1	B
T450;	1	A
T450	1	B
GB/T 6177.1_不带防滑齿_M6;镀蓝白锌Q16	2	C

(CONTROL SYSTEM)

规格状态	数量	易损属性
	Reqd. QTY	CONSUMABLE GRADE
T320_3#,可带熄火开关;镀蓝白锌 Q16	1	B

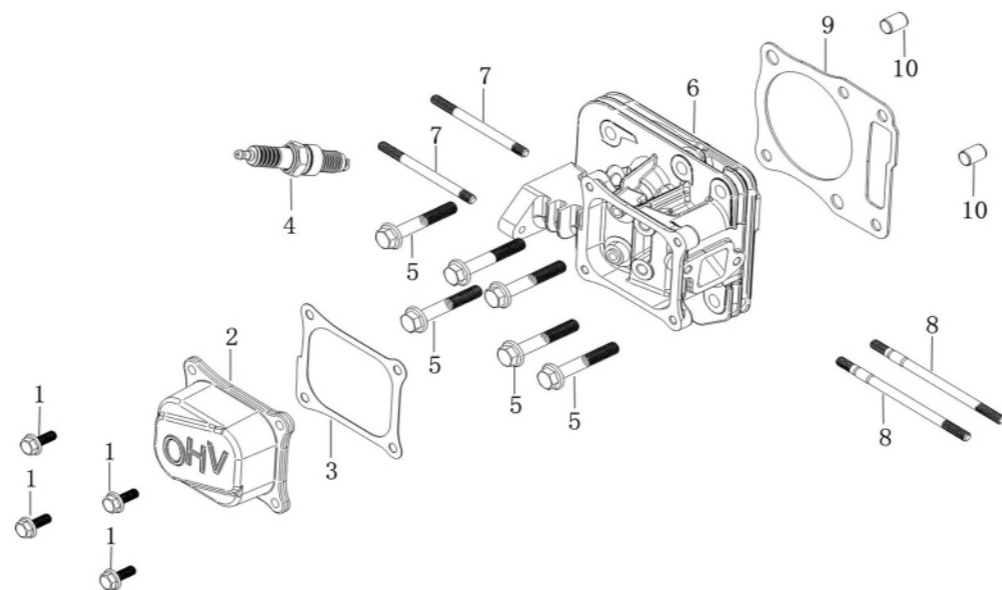
GB/T 5789_M6_L=12;镀蓝白锌Q16	2	C
T450_10圈,簧径0.8,长60;	1	A
T450;	1	A
T450_杆径2.5;	1	B
GB/T 6177.1_不带防滑齿_M6;镀蓝白锌Q16	1	C
T320;带方头平端紧定螺钉/六角法兰面螺母_不带防汗	1	C
T040_M6_L=21(13mm);调速支架固定	1	C

器 (MUFFLER)

规格状态	数量	易损属性
	Reqd. QTY	CONSUMABLE GRADE
GB/T 6177.1_M6;镀蓝白锌Q16	2	C
T450_前排气_带温控安装孔;	1	B
T450;	1	A
GB/T 16674.1_M5_L=8;镀蓝白锌Q16	2	C
T320_2#,自动阻风门,摇臂状态;	1	B
T450_自动阻风门状态_长拉杆,杆径2,长199;	1	B
T240_锁夹 I _电机用;	1	B
T450_前排气;	1	C

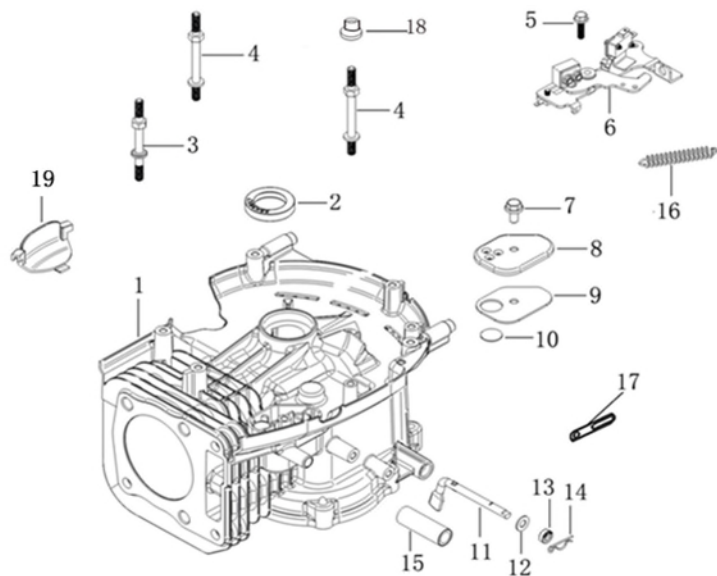
箱 (Fuel tank)

规格状态	数量	易损属性
	Reqd. QTY	CONSUMABLE GRADE
T450;本色黑6#Q80	1	B
T320_2#_油箱盖通气板;本色黑6#Q80_丁腈橡胶密封	1	B
T350_250目;	1	A
T370_M6×15(Φ10×1.8);镀蓝白锌Q16	2	C
T320_内径5.5_外径9.5_长285;PAHS认证	1	A
T320_油管卡圈;	2	A



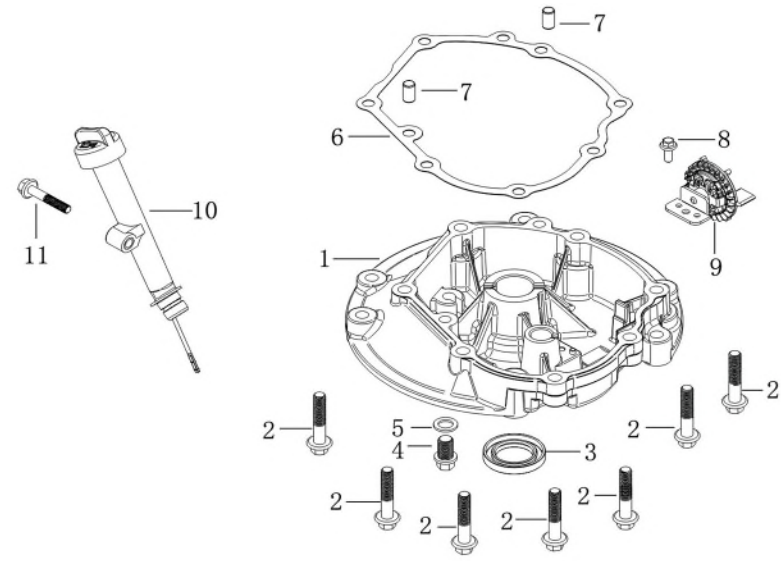
气缸头 (CYLINDER HEAD)

序号	零部件件号	零部件名称	Description	规格状态	数量	易损属性
No.	Part No.				Reqd. QTY	CONSUMABLE GRADE
1	380140013-0005	六角头法兰面螺栓	Hexagon bolt with flange	GB/T 5789_M6_L=16;镀蓝白锌Q16	4	C
2	120230152-0001	气缸头盖	Cylinder head cover	T450_2#_铝合金;	1	C
3	120250059-0001	气缸头盖密封垫	Gasket for cylinder head cover	T450_不含石棉纸垫;	1	A
4	270960014-0001	火花塞	Spark plug	F7RTC_无干扰;	1	A
5	380140339-0001	六角头法兰面螺栓	Hexagon bolt with flange	T320_M8_L=50;镀蓝白锌Q16	6	C
6	120080609-0002	气缸头	Cylinder head	T450;通机规格变更号TJ-GGBG 2018062	1	B
7	380180114-0001	双头螺栓	Stud	T300_M6_L=84;镀蓝白锌Q16	2	C
8	380180093-0001	双头螺栓	Stud	T040_M6_L=113;镀蓝白锌Q16	2	A
9	120150262-0002	气缸头密封垫	Gasket for cylinder head	T342_石墨;通机规格变更号TJ-GGBG 20	1	A
10	380600117-0001	定位销	ocation pin	T040_d=10_L=14;	2	C



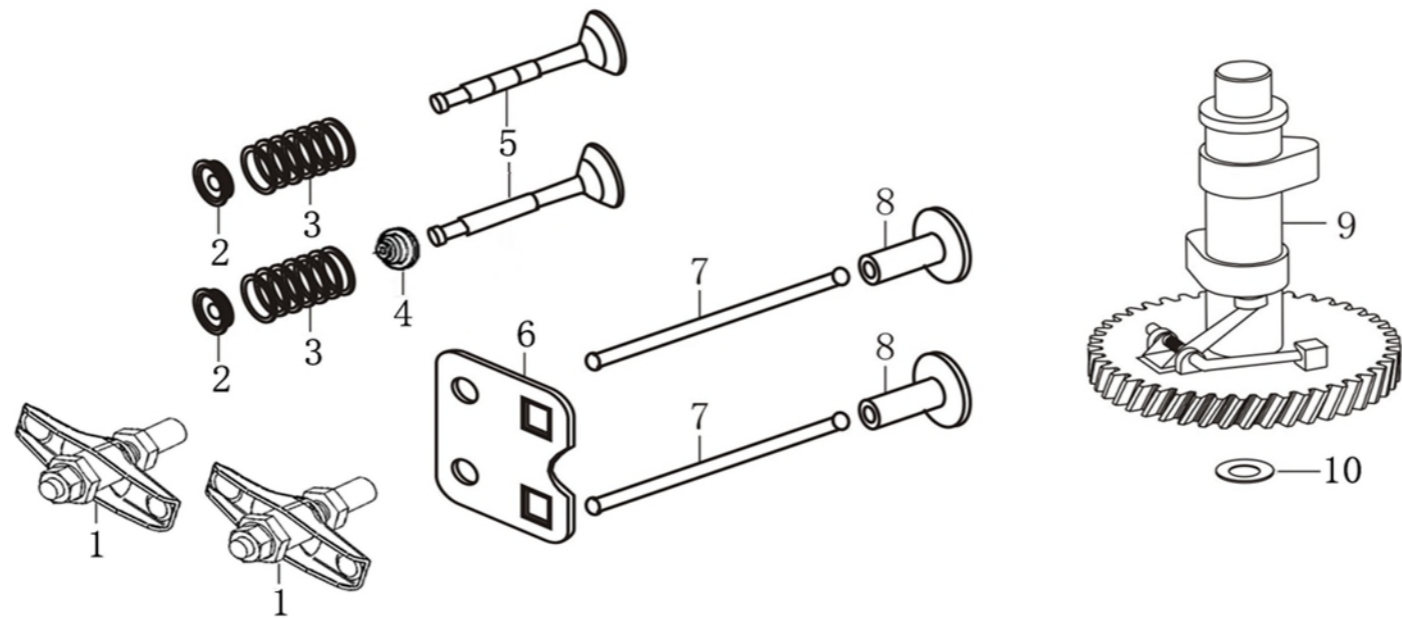
曲轴箱(CRANK CASE)

序号	零部件件号	零部件名称	Description	规格状态	数量	易损属性
No.	Part No.				Reqd. QTY	CONSUMABLE GRADE
1	110810408-0002	曲轴箱体	Crankcase body	T342;通机规格变更号TJ-GGBG 20	1	B
2	380650335-0001	油封	Oil seal	T320_d=25_D=38_b=7;	1	B
3	380850002-0001	双头支撑螺栓	Stay stud	T320_M6_L=78.5;镀蓝白锌Q16	1	C
4	380850006-0001	双头支撑螺栓	Stay stud	T340_M6_L=85;镀蓝白锌Q16	2	C
5	380140086-0002	六角头法兰面螺栓	Hexagon bolt with flange	GB/T 5789_M6_L=22;镀蓝白锌Q16	1	C
6	293030019-0001	发动机制动器	Engine brake	T450_普通状态;	1	B
7	380140067-0003	六角头法兰面螺栓	Hexagon bolt with flange	GB/T 5789_M6_L=12;镀蓝白锌Q16	1	C
8	110840031-0001	呼吸槽盖板	CAP,BREATHER CHAMBER	T450;	1	C
9	110850021-0001	呼吸槽密封垫	PACKING, BREATHER CHAMBER	T450_软木橡胶板;	1	A
10	110860005-0001	呼吸片	Breath fin	T302;	1	A
11	171630023-0001	调速臂	Speed regulating arm	T450;	1	B
12	380450527-0001	平垫圈	Flat washer	T05K_T21_内径6_外径13_厚度1.0	1	C
13	380650338-0001	油封	Oil seal	T320_d=6_D=11_b=4;	1	B
14	381350004-0001	销夹	Pin clip	T040_调速臂用;	1	A



曲轴箱盖 (CRANK CASE COVER)

序号	零部件件号	零部件名称	Description	规格状态	数量	易损属性
No.	Part No.				Reqd. QTY	CONSUMABLE GRADE
1	110820128-0001	曲轴箱盖	Crankcase cover	T450_1#,底部放油螺栓孔_安装高度35;	1	C
2	380140005-0006	六角头法兰面螺栓	Hexagon bolt with flange	GB/T 16674.1_M8_L=40;镀蓝白锌Q16	7	A
3	380650347-0001	油封	Oil seal	T320_d=25_D=41.25_b=6_丙烯酸脂CI	1	C
4	110260025-0001	密封螺塞	Sealing plug screw	T040_M10×1.25×15;镀蓝白锌Q16	1	C
5	380450514-0001	平垫圈	Flat washer	T040_T21_内径10_外径16_厚度1.5_铝	1	C
6	110830062-0001	曲轴箱盖密封垫	Crankcase cover gasket	T450;	1	C
7	380600120-0001	定位销	ocation pin	T040_d=8_L=14;	2	A
8	380140167-0002	六角头法兰面螺栓	Hexagon bolt with flange	GB/T 16674.1_M5_L=12;镀蓝白锌Q16	1	C
9	171750031-0001	调速齿轮部件	Components of governor gear	T450;	1	B
10	110690105-0002	机油尺组合	Oil rule combination	T450_2#,加油管加大;本色黄5#Q82,杆等	1	B
11	380140100-0003	六角头法兰面螺栓	Hexagon bolt with flange	GB/T 5789_M6_L=35;镀蓝白锌Q16	1	C



配气机构 (Camshaft)

序号	零部件件号	零部件名称	Description	规格状态	数量	易损属性
No.	Part No.				Reqd. QTY	CONSUMABLE GRADE
1	140450022-0001	气门摇臂组合	Valve rocker combination	T040;含Hg/Cr6/Pb/PBB/PBDE≤1000pp	2	B
2	140380020-0001	气门弹簧座	Retainer, valve spring	T320_排气门用;	2	B
3	140340039-0001	气门内弹簧	Inner spring of valve	T322_7圈;含Hg/Cr6/Pb/PBB/PBDE≤10	2	B
4	140400016-0001	挡油罩	Valve oil seal	T05K;含Hg/Cr6/Pb/PBB/PBDE≤1000pp	1	B
5	500550076-0001	气门套件	Valve Kit	T450;	1	B
6	140710015-0001	推杆限位板组合	Plate, push rod guide	T450;镀蓝白锌Q16	1	B
7	140670032-0001	挺杆组合	Push rod	T350_长140_整体实芯;	2	B
8	140690002-0001	挺柱	Lifter, Valve	T040;含Hg/Cr6/Pb/PBB/PBDE≤1000pp	2	B
9	140020189-0001	凸轮轴组合	Camshaft assy	T450_塑料齿2#;	1	B
10	380450534-0001	平垫圈	Flat washer	T320_T21_内径14.2_外径20_厚度1;抛光	1	C

